

A Temperature Controller with Dual Temperature Settings

Normally Open (NO) Contact: Typically used to monitor filter fans or heat exchangers, and closes the circuit when the temperature exceeds the set value.

Normally Closed (NC) Contact: Typically used to connect heaters and opens the circuit when the temperature reaches the set value.

This design allows independent switching of heating and cooling equipment, preventing temperature deviations common with traditional switching methods.

- Wide temperature setting range
- Easy installation on 35mm DIN rail
- Integrated NO and NC contacts
- High switching performance
- Bimetallic temperature sensing element
- Independent temperature settings

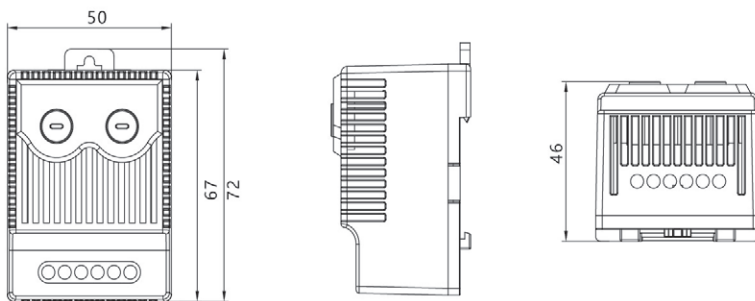


SPECIFICATION

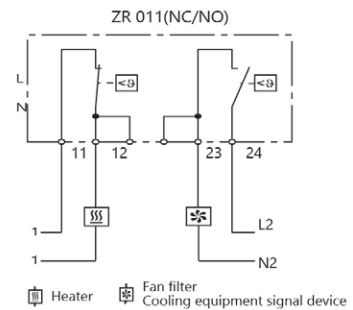
Model	ZR 011
Contact	NC+NO
Temperature	0°C~60°C
Switching temperature difference	7k (± 4k tolerance)
Sensing element	Bimetallic temperature sensing material
Service life	>100000 cycles
Maximum switching load	250VAC, 10A, 120VAC, 15A, DC15A
Connection method	Screw Terminal
Shell	UL94 V-0
Install	Installation of 35mm DIN rail
Size	67x50x46mm
Weight	88g



DIMENSION (mm)



WIRING DIAGRAM



Heater
 Fan filter
 Cooling equipment signal device